

Technical data sheet

FLEXIBEL
DASHER BOARD SYSTEM

engo

ice arena equipment

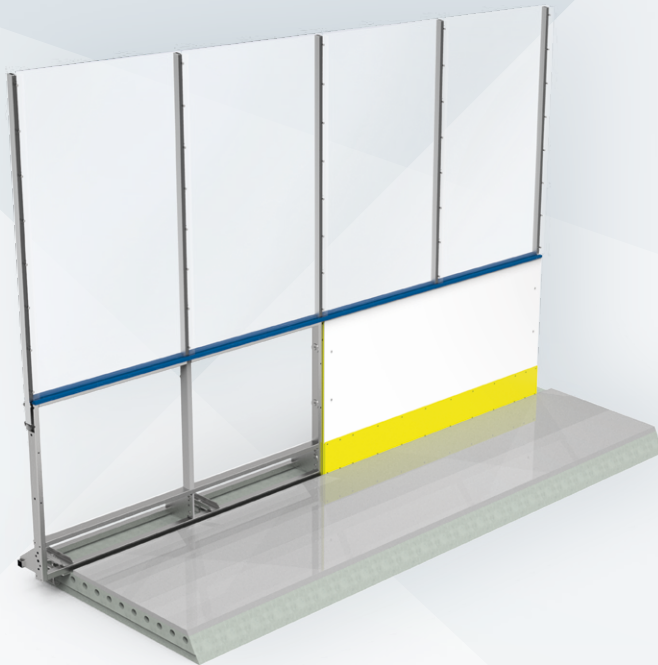
ENG



FlexBoard
CLASSIC

DESIGNED FOR
SMALL AND MEDIUM-SIZED ICE RINKS
(INDOOR AND OUTDOOR)

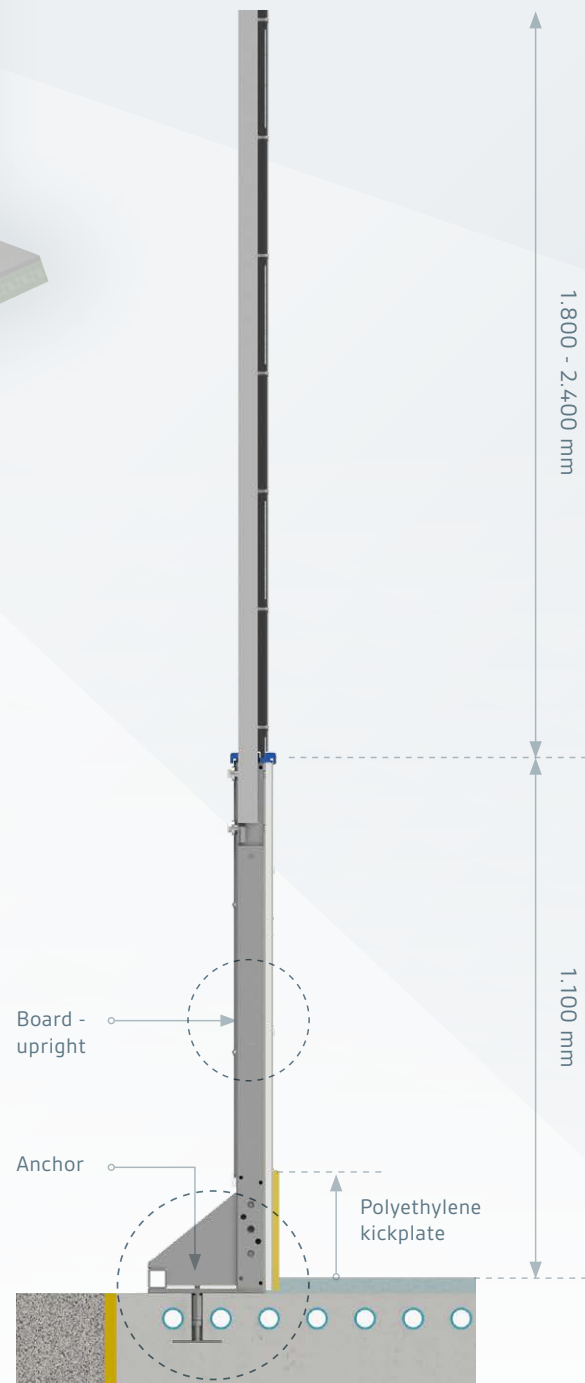
2025-V03



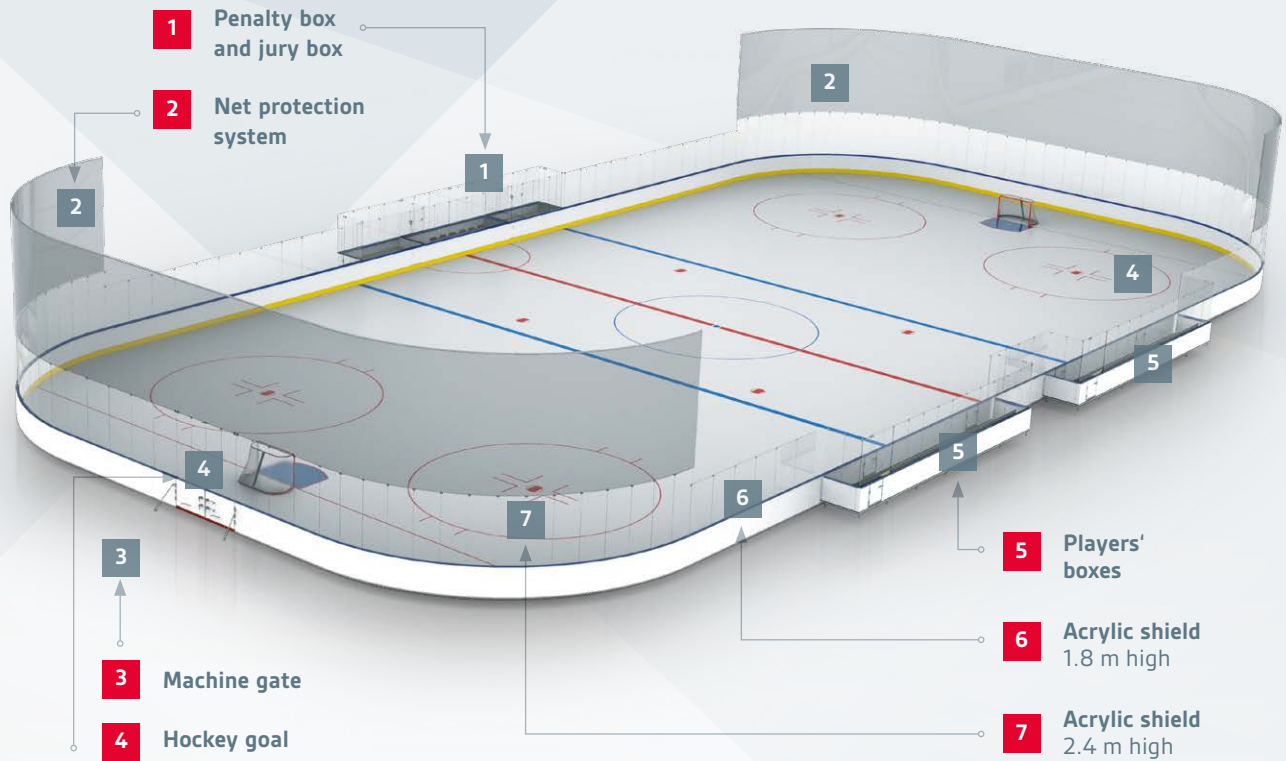
KEY FACTS

Technical specifications

| | |
|-----------------------------|-------------------------------------|
| RULES STANDARD | IIHF |
| HEIGHT SINGLE ELEMENT | 1.100 mm |
| LENGHT SINGLE ELEMENT | to 3.000 mm |
| ELEMENT RADIUS | 7 to 8,5 m |
| FRAME CONSTRUCTION | tubular hot galvanized steel |
| ANCHOR TYPE | different mounting options |
| INSIDE PANELLING | polyethylene / white |
| KICKPLATE | polyethylene / yellow |
| HANDRAIL | polyethylene / blue |
| ENTRANCE DOOR | from 0,8 m |
| MACHINE GATE WIDTH PER DOOR | on demand |



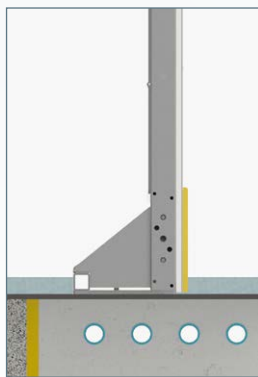
DASHER BOARD SYSTEM



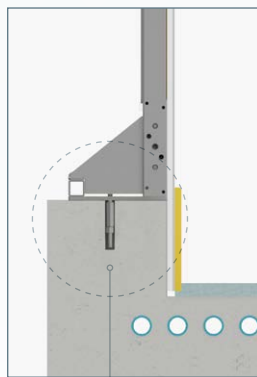
ANCHORING

Different installation possibilities

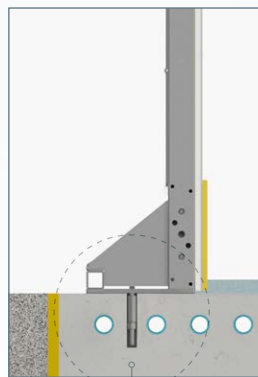
Installation into ice with steel plates



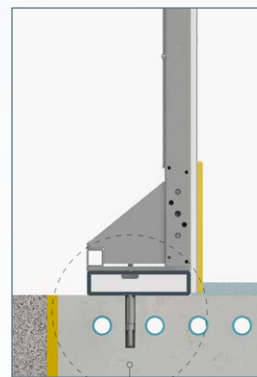
Installation system on a barrier



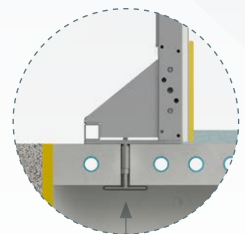
Immersed adhesive anchors



Anchoring system with ice dam



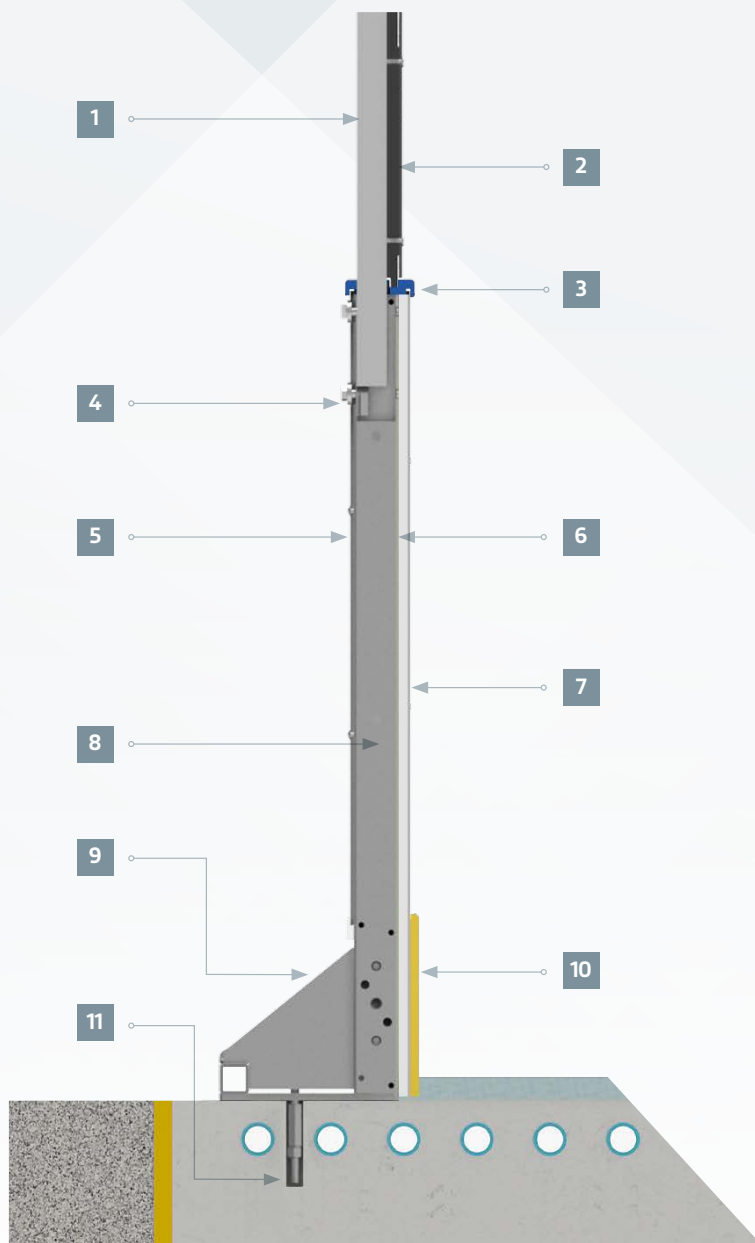
ALTERNATIVE:
Immersed steel rail in the concrete



PLAYER PROTECTION SYSTEM

Flexibility for injury prevention

The flexible FlexBoard CLASSIC dasher board system can absorb up to 80% of impact energy during a collision, significantly reducing the risk of injury. At Engo, this flexibility is ensured by the specially developed design of the boards and the supporting posts.

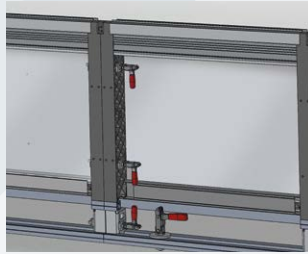


- 1 Uprights** for protective glazing
- 2 Protective glazing** made of Polycarbonate/acrylic and ESG glass up to a height of 2,400 mm (above the handrail)
- 3 Handrail** made of PE-HD
- 4 Fixing screw** for upright
- 5 White inner cover** made of PE-HD (5mm thickness)
- 6 White outside cover** made of PE-HD (10mm thickness)
- 7 Advertising panel** / polycarbonate sheet (1 mm thick) covered with a polycarbonate sheet (4 mm thick)
- 8 Steel frame** welded and galvanised
- 9 Screwable steel base construction**
- 10 Yellow kick plate** made of PE-HD (12 mm thickness)
- 11 Standard anchoring** with immersed adhesive anchors in the concrete

OPTIONAL EQUIPMENT +



• ICE DAM



• QUICK ASSEMBLY SYSTEM



• TEMPERED GLASS SHIELDING *



• ACRYLIC SHIELDING **



• POLYCARBONATE SHIELDING ***



• MACHINE GATE INSIDE RADIUS



• ROUNDED SHIELDING ON BOXES



• SOUNDPROOFING



• OUTSIDE COVERING



• NET PROTECTION



• GOAL REFEREE BOX



• GOAL LIGHT



• ADVERTISING PROTECTION



• CUSTOM OPENINGS



• TRANSPARENT ELEMENTS



• TRANSPORT-, STORAGE SYSTEM

• PLAYERS' AND PENALTY BOXES >>

• QUICKADAPT >>

* Available as 12 mm, 15 mm or 12/15 mm thickness

** Available as 12 mm or 15 mm thickness

*** Available as 8 mm, 10 mm or 12 mm thickness

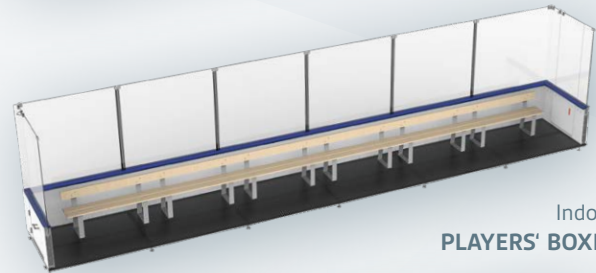
OPTIONAL EQUIPMENT +

PLAYERS' AND PENALTY BOXES

- **Players' boxes with „CoachWalkway“**
- **Benches** with back rest and bottle holder
- **Inspection** openings for players' box flooring
- **Players' boxes** with tempered glass
- **Roofing** for benches and jury box
- **Fully insulated and waterproof jury box** with jury table and 6 chairs
- **Straight dasher board elements, doors and folding floor** of the players' and penalty boxes for quick conversion to **Para Ice Hockey**.
- **Outdoor players' and penalty boxes** made of steel with polycarbonat roof, rubber floor and benches. Back rest and bottle holder available upon request at an extra charge.
- **Outdoor jury box** made of steel with polycarbonat roof, 1 door, rubber floor, jury table and 6 chairs.



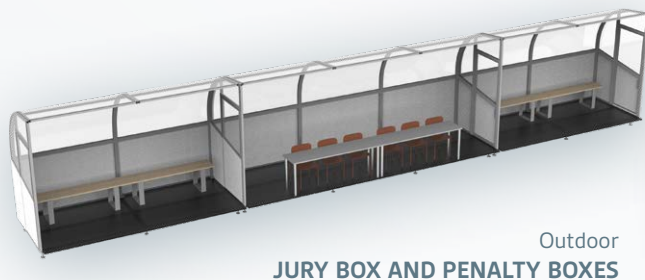
Indoor
JURY BOX AND PENALTY BOXES



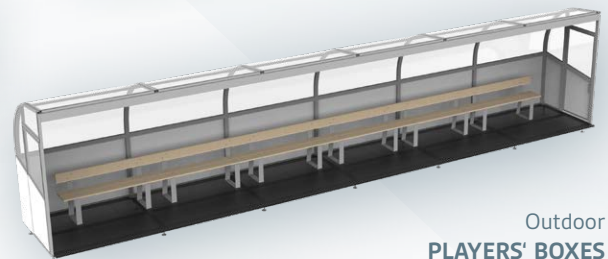
Indoor
PLAYERS' BOXES



Indoor
**PLAYERS' BOXES
FOR PARA ICE HOCKEY**



Outdoor
JURY BOX AND PENALTY BOXES



Outdoor
PLAYERS' BOXES



• **Rounded shielding**



• **Benches with back rest**



Integrated bottle holder

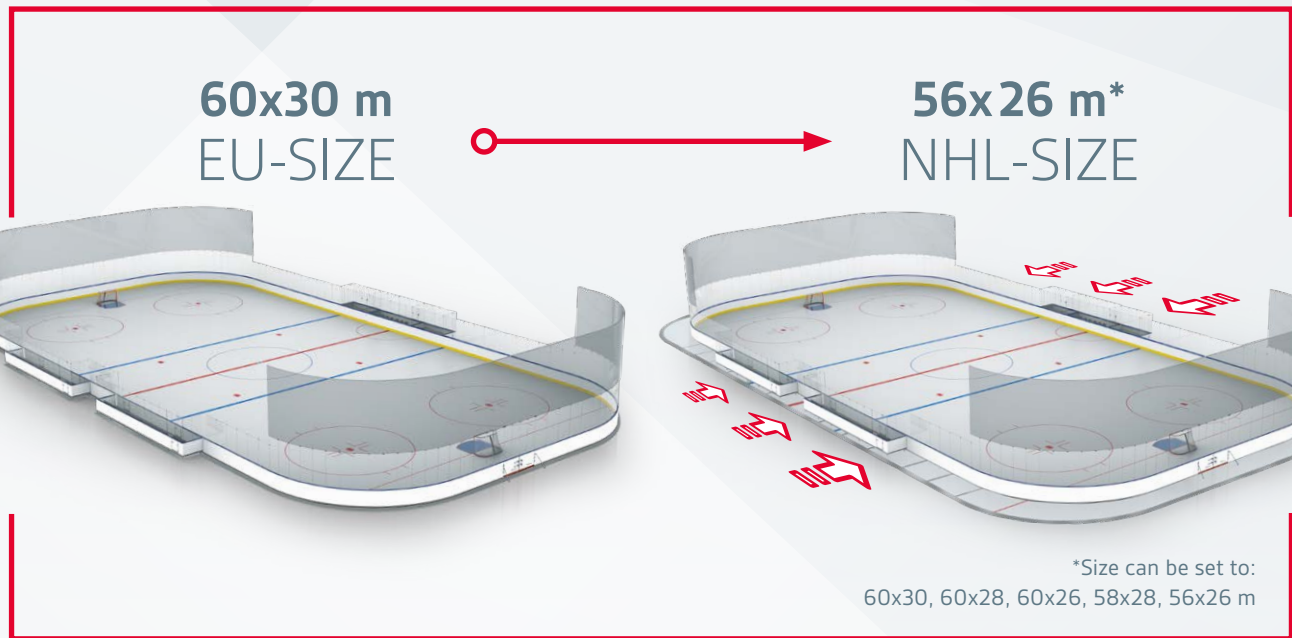
OPTIONAL EQUIPMENT +



MORE INFO

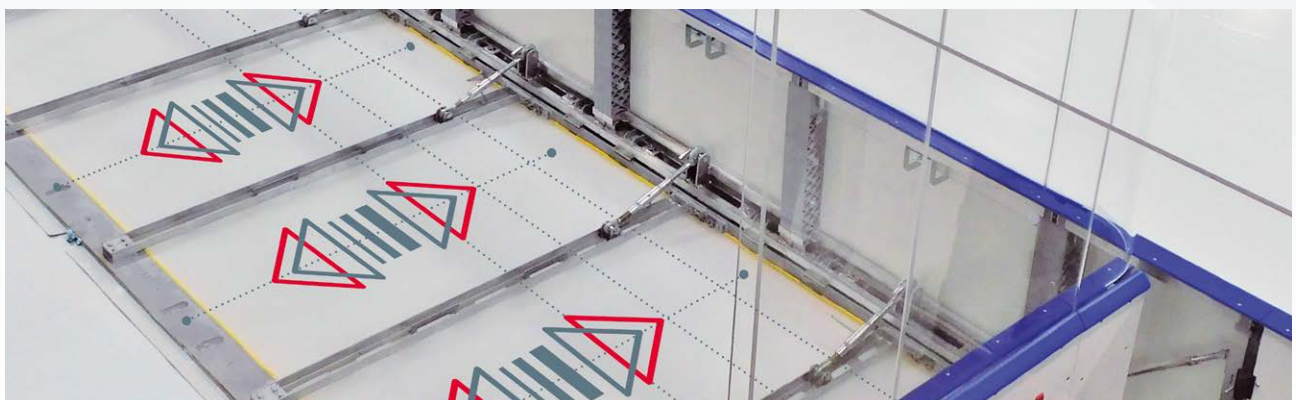
QuickAdapt

- ✓ Avoid the high costs of a complete reconstruction of the rink
- ✓ Comply with IIHF regulations to host A-League championships
- ✓ Switch flexibly between the two sizes with one rink



ONE SYSTEM, MANY SIZES

The innovative, patented QuickAdapt System is the cost-effective alternative to a complete rebuilding to reduce your ice rink to the NHL size. It moves the dasher board with the help of hydraulic cylinders reducing the size of the ice rink by 4 meters within 3 hours only.



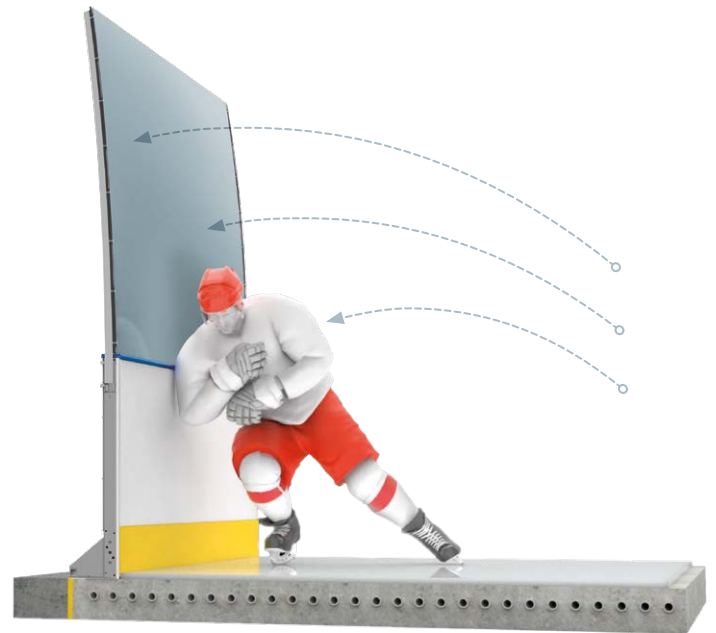


FLEXBOARD CLASSIC IMPACT TEST

The new FlexBoard CLASSIC was tested by the renowned AGU Zurich Institute and the results were very satisfactory. Acrylic glass with 15 mm and its variants and dynamic characteristics were tested.

The board was able to absorb up to 80% of the energy while maintaining its structural integrity. It was important to maintain and optimise the existing values.

This allowed us to make the FlexBoard CLASSIC more efficient and even safer and to certify it for international competitions.



bfu tested
Compliant with
IIHF regulations



Ein Unternehmen der
TU Dresden AG
TUDAG

Results from 2022. This information sheet is to be used for promotional purposes only and information contained herein is subject to change by the manufacturer.



Website: www.engo-ice.cn

Hotline: 4009001881

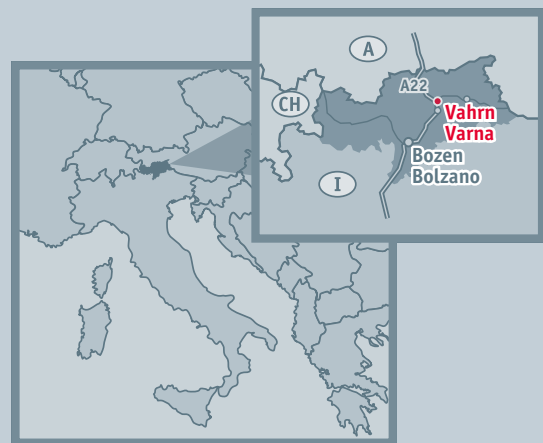


**ICE RESURFACERS
DASHER BOARDS
ACCESSORIES**

*Powerful technology for
smooth ice surfaces since 1979*

*Specifications are subject to change.
For current product information
please contact the Engo Company.*

© Copyright by Engo



CERTIFICATION



MEMBER



LEGAL NOTICE
 Editor: Engo GmbH / S.r.l., Via Forch 9, 39040 Varna (BZ) Italia
 Pictures: Archive Engo, Photographer: City-Press GmbH Picture agency, mm design, Christof Schiner, FOTO KLICK, Hannes Niederkofler,
 Vanna Antonello, Exide Technologies, ROYPOW Industrial Park, Adobe Stock – www.stock.adobe.com, Sportpoint, Gorodenkoff Productions OU, siderovstock,
 Von 103inn, Sidijk / Md., www.shutterstock, iStock – www.istockphoto.com: il-graphics, JuSun, BongkarnThanayakij, dabooat, Design by almedes.bz